

# Genuine Spare Parts

www.stiga.com

## SGS 60 LI Model Year 2011

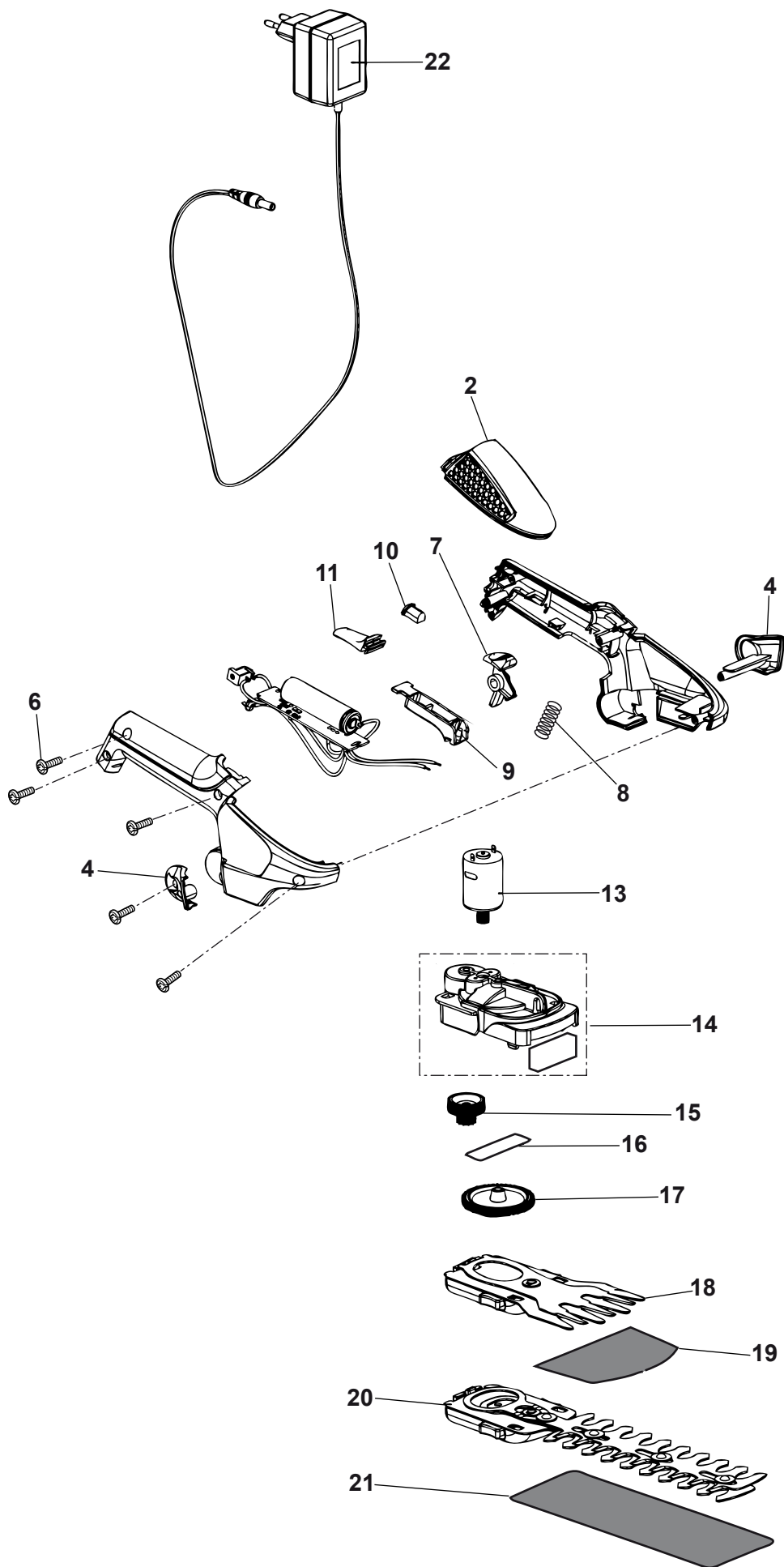
- Use GLOBAL GARDEN PRODUCT Genuine Spare Parts specified in the parts list for repair and/or replacement.
- The contents described in the parts list may change due to improvement.
- The drawings of the spare parts are only indicative and might not represent the part in question exactly.
- The indications "right" - "left" - "front" - "rear" refer to the position of the operator when using the machine.
- When placing orders of parts for repair and/or replacement, make sure that the illustrated parts list is the one applying to the machine's year of manufacture, as shown on the identification plate attached to the machine.

COPYRIGHT by GLOBAL GARDEN PRODUCTS

All rights reserved. No part of this material may be reproduced or transmitted, in any form or by any means, electronic or mechanical, including photocopying, recording or by any information storage and retrieval system, without permission in writing from GLOBAL GARDEN PRODUCTS.



SGS 60 LI





## SGS 60 LI

Pos. Fig.	Antal Quantity	Art No Part No	Description	Benämning	Anmärkning Notes
2	1	1911-1640-01	Motor cover		
4	1	1911-1641-01	Cover, LH+RH		
6	5	1911-1268-01	Screw		
7	1	1911-1642-01	Unlock knob (black)		
8	1	1911-1643-01	Pressure spring		
9	1	1911-1644-01	Switch panel (black)		
10	1	1911-1645-01	Fibre-optics		
11	1	1911-1646-01	Eyelet		
13	1	1911-1647-01	Motor incl pinion		
14	1	1911-1648-01	Gear housing w foam		
15	1	1911-1649-01	Cog wheel		
16	1	1911-1650-01	Spring		
17	1	1911-1651-01	Gear w eccentric		
18	1	1911-1652-01	Blade		
19	1	1911-1653-01	Blade protection		
20	1	1911-1654-01	Blade system		
21	1	1911-1655-01	Blade protection		
22	1	1911-1656-01	Battery charger		